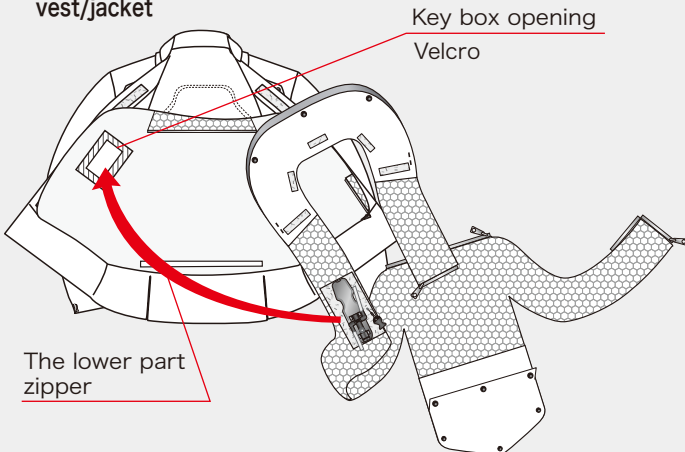


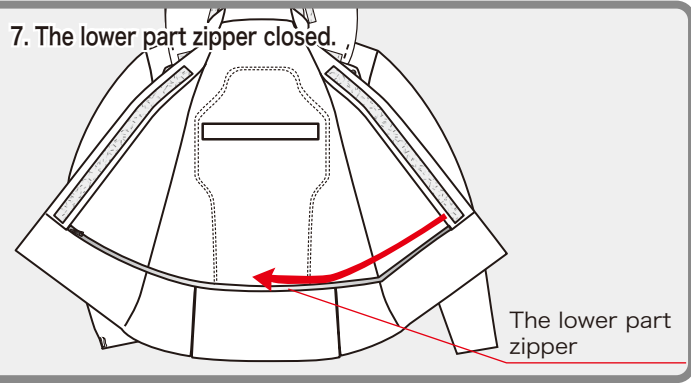
How to assemble the airbag system (Key Box B-type)

Take the responsibility for correct dismantling and assembling. In case of washing or mending of the vest/jacket, the Hit-Air has to be dismantled and assembled carefully and correctly, otherwise it may not work as originally intended or may be damaged.

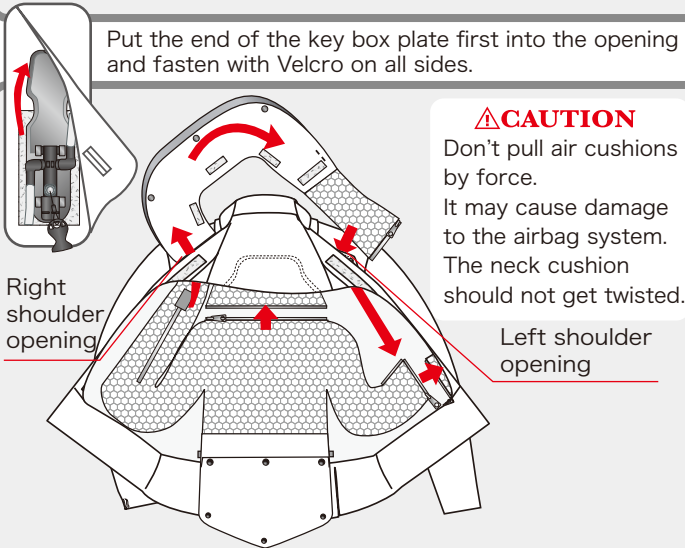
1. Spread out the vest/jacket on a flat surface, with the inside up, and open the zipper across the lower part of the inside of the vest/jacket



7. The lower part zipper closed.



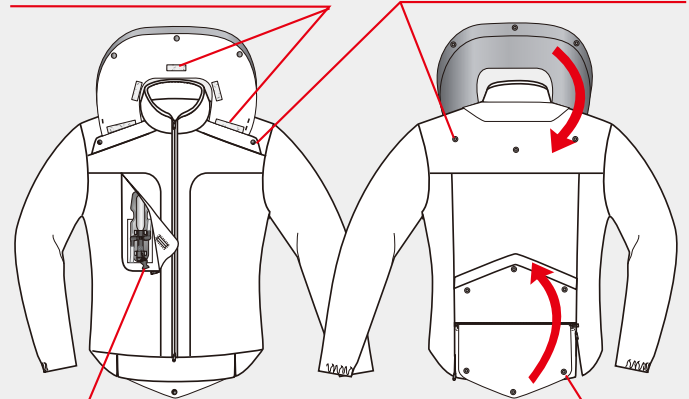
2. Place the key box of the Hit-Air in the opening of the right-hand side of the vest/jacket and fasten it with Velcro on all sides.



CAUTION
Don't pull air cushions by force. It may cause damage to the airbag system. The neck cushion should not get twisted.

8. Fasten the neck cushion with Velcro to the matching place of the vest/jacket.

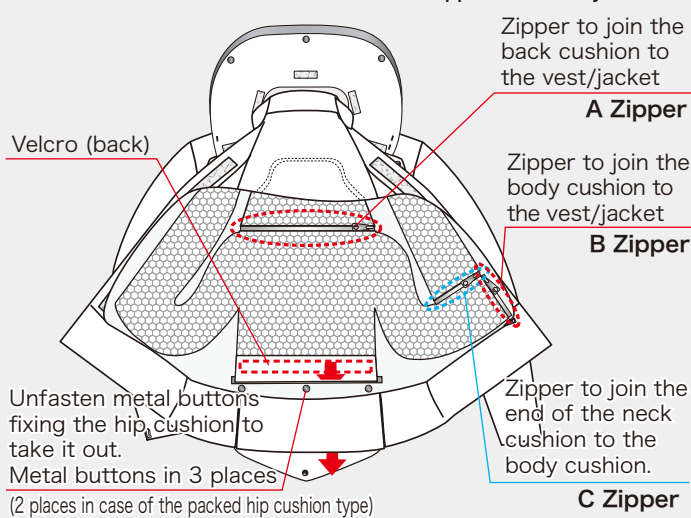
Neck cushion Velcro Shoulder 2 places, Neck 3 places.
Neck cushion plastic buttons Front 2 places Back 3 places



(There is no button to the packed hip cushion type.)

3. Let the neck cushion go through from the inside of the right shoulder opening in the direction of an arrow. Then put its end into the left shoulder opening.

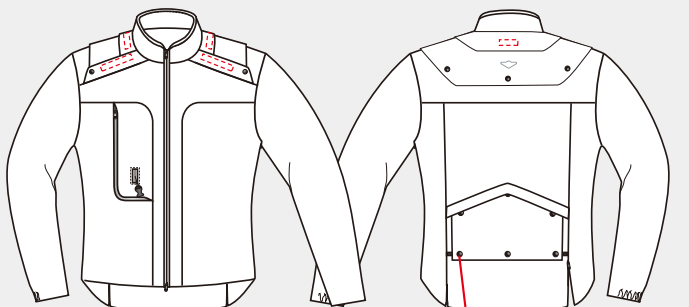
4. Join the end of the neck cushion to the C zipper of the body cushion.



5. Join 3 zippers of A and B to the inside of the vest/jacket.

6. Take the hip cushion out through the hip opening, fasten 3 metal buttons and fix it to the right place with Velcro.
*For the packed hip cushion type, metal buttons to be fastened.

9. Fasten neck cushion plastic buttons on the shoulders and the back. (Shoulder 2 places, Neck 3 places, Fasten hip cushion plastic buttons 3 places)



(2 places in case of the packed hip cushion type)



10. Lastly, install a CO2 cartridge and let the female side of the one-touch connector out through the hole of the key box cover and close the zipper.